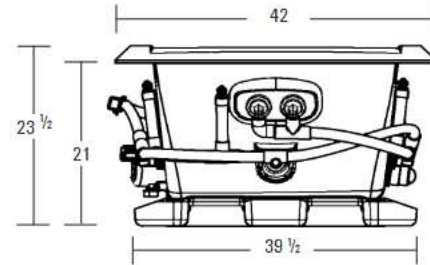
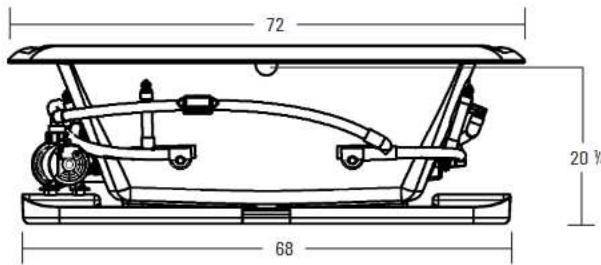
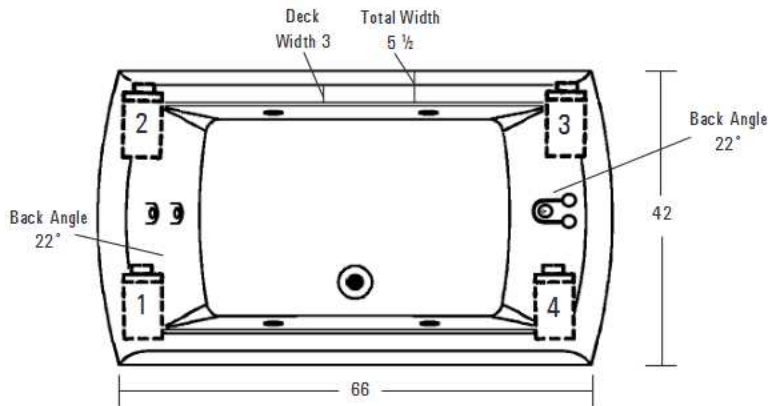


RIVIERA MOTIF

72 x 42 x 23 1/2 (1830 x 1070 x 600)
inches (mm)



FEATURES lbs [kg] Dimensional Tolerance ± 3/8". Dimensions needed for site preparation should be measured from the unit. Aquatic assumes no responsibility for preparatory work.

Type and Model #	Material	Jets	Pump	Heater	Controls	Drain	Pkg. Wt.
Whirlpool #A17242M	Acrylic	9	1.75 HP	1.5 kw Inline (optional)	Electronic on/off	Center Front	249 (113)

DIMENSIONS inches (mm)

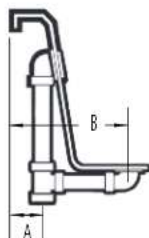
Width Overall / Net	Depth Overall / Net	Height Overall / Net	Skirt Height
72 (1830)	42 (1070)	23 1/2 (600)	-

SUMP DATA inches (mm)

Capacity to Overflow gal (ltr)	Min. Operating Capacity gal (ltr)
106 (2690)	87 (329)

PLUMBING DIMENSIONS inches (mm)

A	B
3 1/2 (90)	12 1/4 (310)



ELECTRICAL DATA

Component	Specification	Requirement
Pump	1.75 HP; 12 AMP; 110 V	15 AMP; 110V, separate circuit; Class A GFCI
Optional Heater	1.5 kW; 12.5 AMP; 110 V	15 AMP; 110V, separate circuit; Class A GFCI

NOTES:

1) Where applicable, utilize cut-out templates packed with unit for deck cutouts.

2) 16 x 20 (405 x 510) minimum access required at pump/blower location(s).